

GROVE

E3B/4I ANTRIEB UNTERWAGEN 6X6
E3B/4I DRIVE UNIT FOR CHASSIS FRAME 6X6

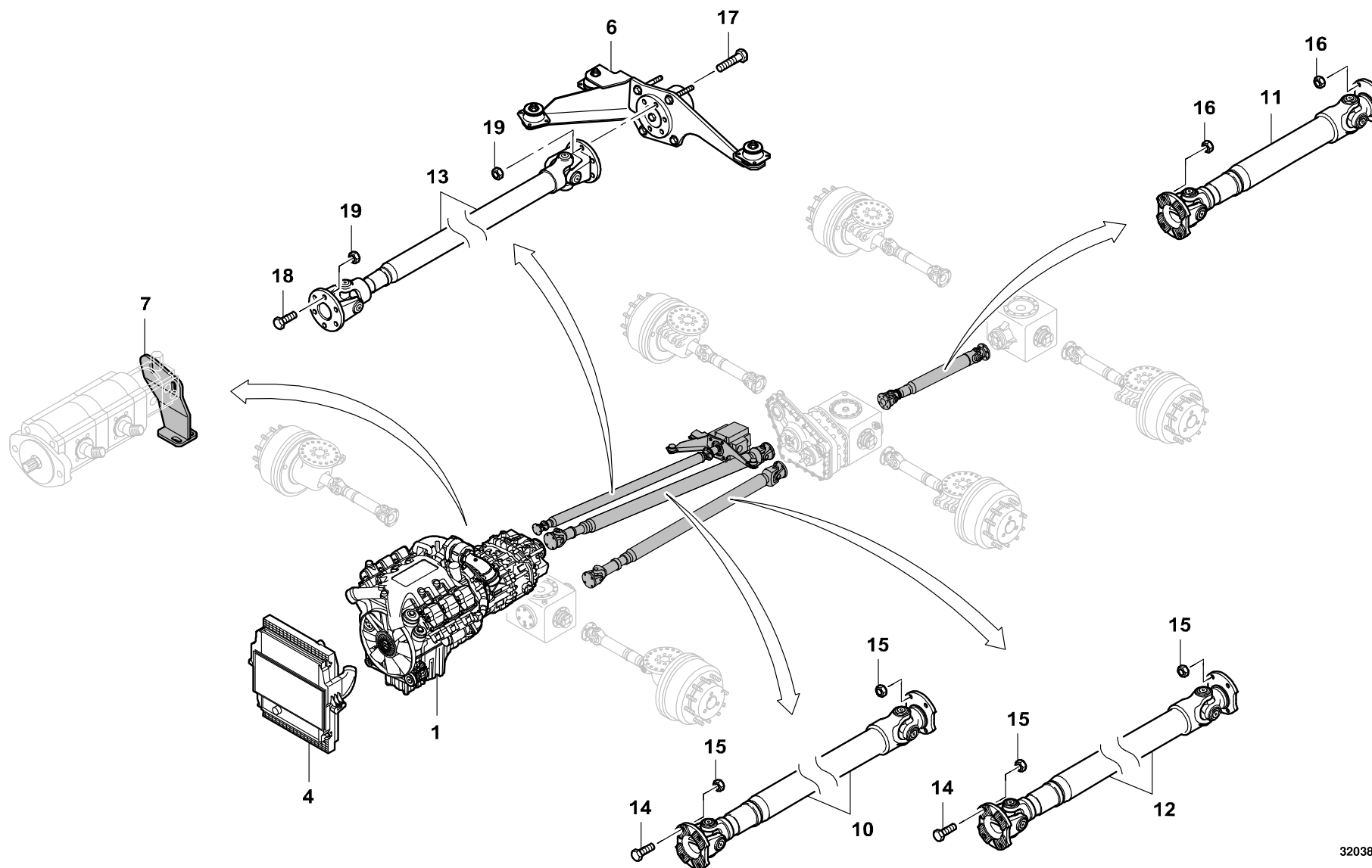
BILDТАFЕL
PICTORIAL DISPLAY

GMK 3050
BE 503
G 631

04.13

3203801-ETL B

1/2



3203801-B-BL01-0413-3050

GROVE

E3B/4I ANTRIEB UNTERWAGEN 6X6
E3B/4I DRIVE UNIT FOR CHASSIS FRAME 6X6

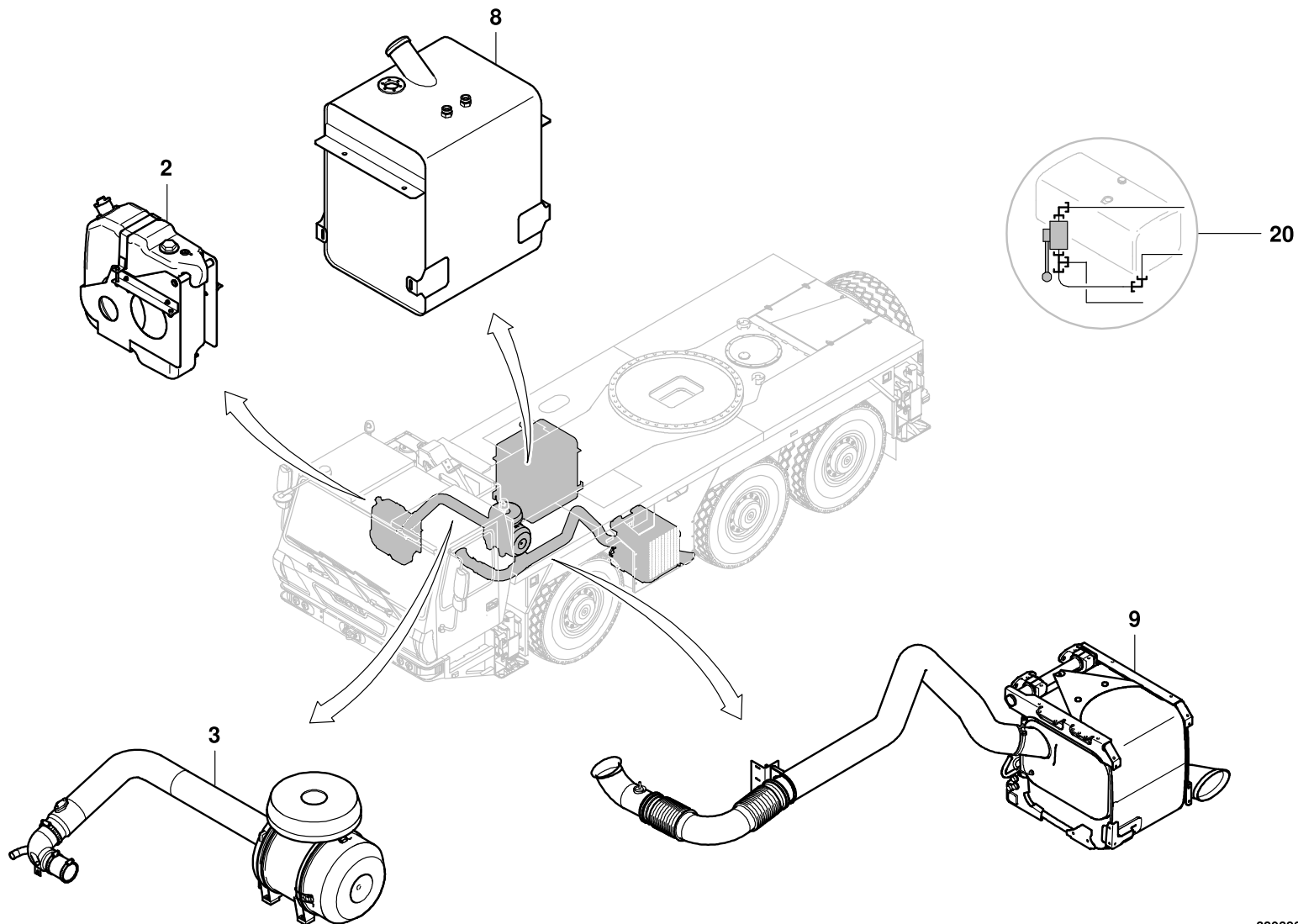
BILDТАFEL
PICTORIAL DISPLAY

GMK 3050
BE 503
G 631

04.13

3203801-ETL B

2/2



3203801-B-BL02-0413-3050